

0CI00-M16400EN

Contents

Fig. No. Fig. Name

728176-51100

728270-51101

728370-51101

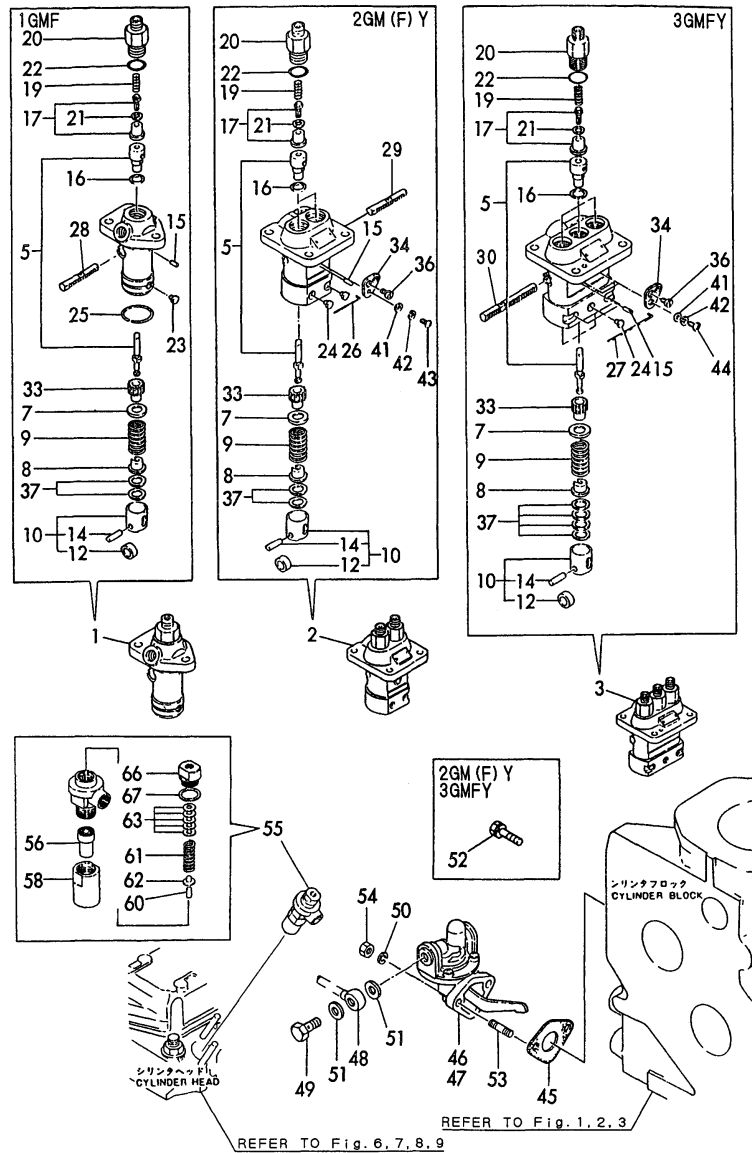
1. FUEL INJECTION PUMP
2. GOVERNOR & CONTROLLER(1GMY)
3. GOVERNOR & CONTROLLER(2/3GM(F))

Fig. No. Fig. Name

Fig.1. FUEL INJECTION PUMP

(A)=728176-51100
 (B)=728270-51101
 (C)=728370-51101

(D)=
 (E)=
 (F)=



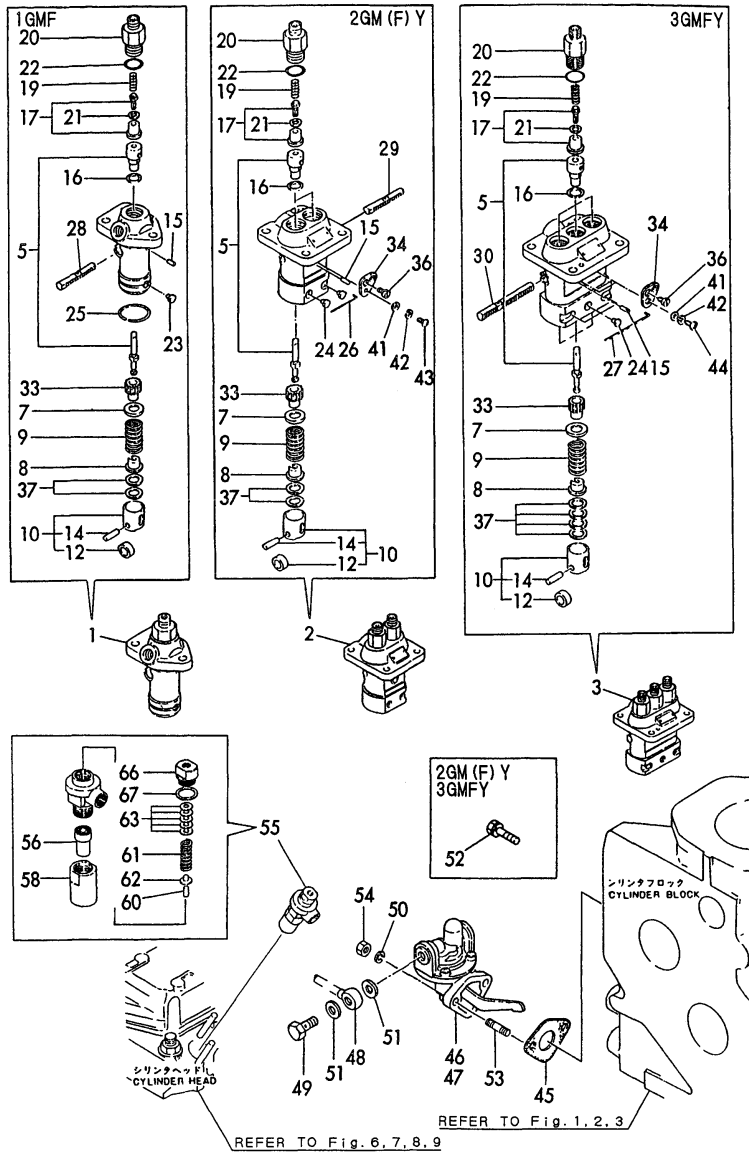
No.	Lev.	Parts No.	Description	Qty						I	R
				(A)	(B)	(C)	(D)	(E)	(F)		
1	1	728176-51100	PUMP ASSY, INJECTION	1							
2	1	728270-51101	PUMP ASSY, INJECTION		1						
3	1	728370-51101	PUMP ASSY, INJECTION			1					
5	2	128170-51101	PLUNGER ASSY	1	2	3					
7	2	174307-51170	RETAINER, SPRING A	1	2	3					
8	2	174307-51181	RETAINER, SPRING B	1	2	3					
9	2	124950-51190	SPRING, PLUNGER	1	2	3					
10	2	724550-51520	GUIDE, PLUNGER	1	2	3					
12	3	711100-51540	ROLLER ASSY	1	2	3					
14	3	174100-54120	PIN	1	2	3					
15	2	103854-51251	PIN, PLUNGER	1	1	1					
16	2	124950-51270	GASKET	1	2	3					
17	2	128170-51300	VALVE ASSY, DELIVERY	1	2	3					
17-1	2	105500-51300	VALVE ASSY, DELIVERY (C=E/#00463)		2	3					N
					(E=E/#00263)						(F=*1992.11)
19	2	124550-51320	SPRING, DELIVERY	1	2	3					
20	2	124550-51341	HOLDER, DELIVERY L43	1	2	3					
21	2	124550-51350	GASKET, DELIVERY	1	2	3					
22	2	124550-51370	O-RING	1	2	3					
23	2	104271-51450	PIECE, GUIDE	1							
24	2	124950-51450	PIECE, GUIDE		2	3					
25	2	104271-51460	CIRCLIP	1							
26	2	174307-51460	PIN, LOCK		1						
27	2	121150-51460	PIN, GUIDE			1					
28	2	128170-51500	RACK ASSY, CONTROL	1							
29	2	124085-51500	RACK, CONTROL		1						
30	2	121450-51500	RACK, CONTROL			1					
33	2	124950-51510	PINION	1	2	3					
34	2	124950-51640	PLATE ASSY, ADJUST		1	2					
36	2	103854-51660	SCREW		1	2					
37	2	174307-51700	SHIM SET	1	2	3					
43	2	26033-050102	SCREW, M5X10		1						
44	2	26587-050102	SCREW, M5X10			2					
44-1	2	26033-050102	SCREW, M5X10			2					N
					(E=EXXX)						(F=EXXX)
45-1	1	121520-01851	GASKET	1	1	1					N
		(A=E/#00247)			(B=E/#00247)						(C=E/#00189)
46	1	105582-52010	PUMP ASSY, FUEL FEED	1							(E=E/#00156)
47	1	129301-52020	PUMP ASSY, FUEL FEED		1	1					(F=*1991.02)
48	1	104264-59030	JOINT, PIPE 8	1	1	1					
49	1	105582-59150	BOLT, PIPE JOINT	1	1	1					
50	1	22217-060000	WASHER, SPRING 6	2							
51	1	23414-080000	GASKET, 8X1.0	2	2	2					
51-1	1	23414-080012	GASKET, 8X1.0	2							N
		(A=E/#00375)			(B=E/#00375)						
52	1	26013-060162	BOLT, M6X 16		2	2					
53	1	26216-060162	STUD, M6X 16	2							
54	1	26716-060002	NUT, M6	2							
55	1	728170-53100	VALVE ASSY, INJECTION	1	2	3					
56	2	124770-53000	VALVE ASSY, INJECTION	1	2	3					
58	2	128170-53080	NUT, NOZZLE	1	2	3					

Remarks
 (A)=1GMF-C, 1GMY-EC.
 (B)=2GMFY(E)-E, 2GMYE-EC.
 (C)=3GMFY-E, 3GMYE-E(HE).

Fig.1. FUEL INJECTION PUMP

(A)=728176-51100
 (B)=728270-51101
 (C)=728370-51101

(D)=
 (E)=
 (F)=



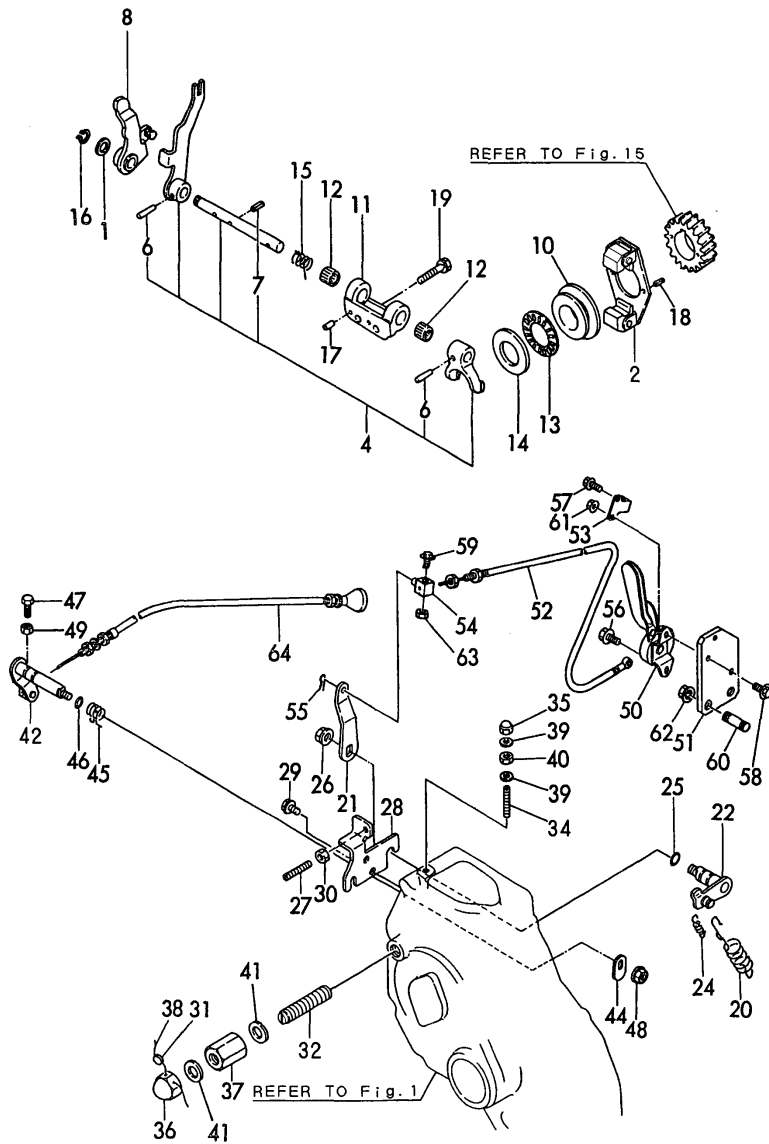
No.	Lev.	Parts No.	Description	Qty						I	R
				(A)	(B)	(C)	(D)	(E)	(F)		
60	2	113200-53110	SPINDLE, INTER	1	2	3					
61	2	104211-53120	SPRING, NOZZLE	1	2	3					
62	2	113200-53120	RETAINER, SPRING	1	2	3					
63	2	110250-53150	PLATE ASSY, ADJUST	1	2	3					
66	2	103854-53180	RETAINER, SPRING	1	2	3					
67	2	172100-53200	GASKET	1	2	3					

Remarks
 (A)=1GMF-C,1GMF-EC.
 (B)=2GMFY(E)-E,2GMFYE-EC.
 (C)=3GMFY-E,3GMFYE-E(HE).

Fig.2. GOVERNOR & CONTROLLER(1GMY)

(A)=1GMY-C
(B)=1GMY-EC
(C)=2GMFY(E)-E

(D)=2GMYE-EC
(E)=3GMFY-E
(F)=3GMFYE-E(HE)

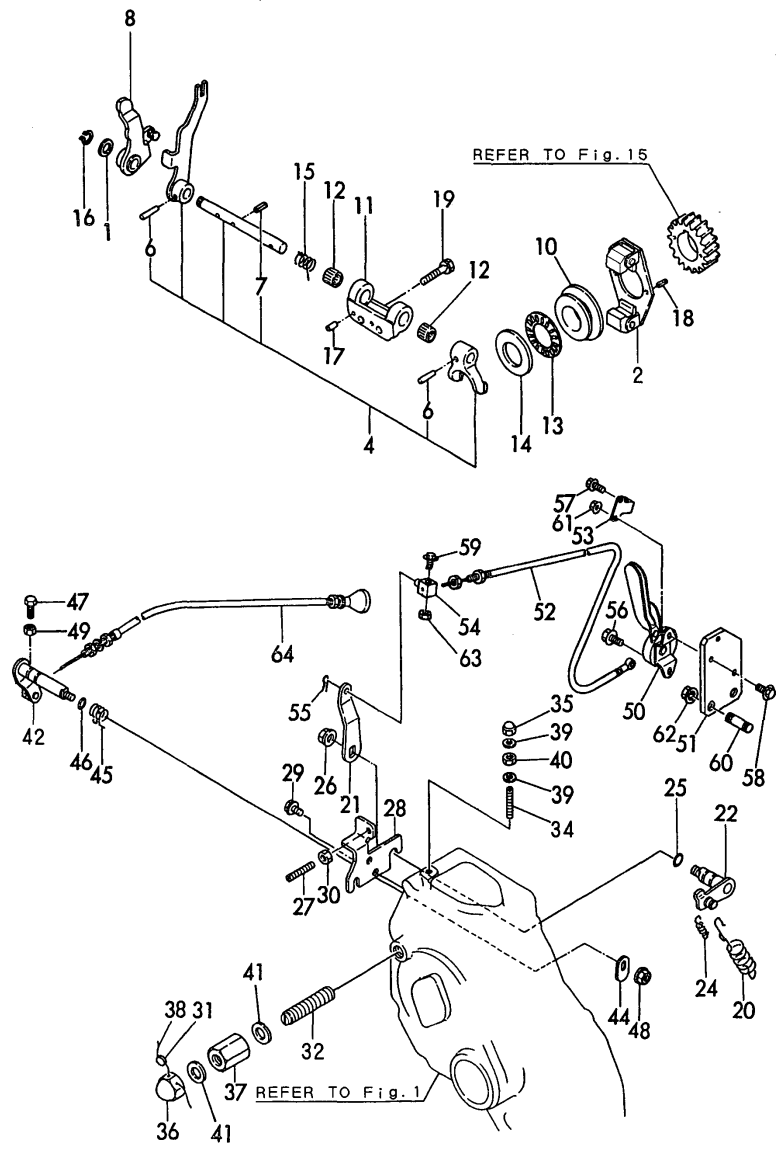


No.	Lev.	Parts No.	Description	Q'ty						I	R
				(A)	(B)	(C)	(D)	(E)	(F)		
1	1	104211-42130	PIECE, DISTANCE	1	1						
2	1	128170-61100	WEIGHT ASSY,GOVERNOR	1	1						
4	1	728170-61560	LEVER ASSY, GOVERNOR	1	1						
6	2	22322-030200	PIN, TAPER 3X20	2	2						
7	2	22351-030012	PIN, SPRING 3.0X12	1	1						
8	1	128170-61160	LEVER ASSY, CONTROL	1	1						
8-1	1	128170-61161	LEVER ASSY, CONTROL	1	1						N
10	1	121000-61600	SLEEVE, GOVERNOR	1	1						
11	1	128170-61620	SUPPORT	1	1						
12	1	122410-61650	BEARING, FJ-1010W	2	2						
13	1	121575-61710	BEARING, FNTA-2542	1	1						
13-1	1	24166-254202	BEARING, 254202	1	1						R
14	1	121575-61720	COLLAR	1	1						
15	1	121575-66310	SPRING, STARTING	1	1						
16	1	22242-000100	RING, 10	1	1						
17	1	22312-040080	PIN, PARALLEL M4X 8	2	2						
18	1	22351-040008	PIN, SPRING 4.0X 8	2	2						
19	1	26013-060302	BOLT, M6X 30	2	2						
20	1	128170-66010	SPRING, REGULATOR	1	1						
21	1	128176-66050	HANDLE, REGULATOR	1	1						
22	1	128170-66090	LEVER ASSY,REGULATOR	1	1						
24	1	128170-66200	SPRING, REGULATOR	1	1						
25	1	24311-000090	O-RING, 1AP9.0	1	1						
26	1	26366-080002	NUT, M8	1	1						
27	1	121575-66800	SCREW	1	1						
27-1	1	121575-66830	SCREW	1	1						N
28	1	128170-66850	RETAINER	1	1						
29	1	26106-060122	BOLT, M6X 12 PLATED	2	2						
30	1	26756-060002	NUT, LOCK M6	1	1						
31	1	135210-61090	LEAD	1	1						
32	1	128171-66550	LIMITER ASSY, FUEL	1	1						
34	1	121575-66800	SCREW	1	1						
34-1	1	121575-66830	SCREW	1	1						N
35	1	128170-66870	NUT, CAP M6	1	1						
36	1	128170-66880	NUT, CAP M12	1	1						
37	1	128171-66890	NUT, M12	1	1						
38	1	22451-100000	WIRE, 1.0	1	1						
39	1	23414-060000	GASKET, 6X1.0	2	2						
40	1	26756-060002	NUT, LOCK M6	1	1						
41	1	43400-500450	SEAL WASHER 12S	2	2						
41-1	1	22190-120002	WASHER, SEAL 12	2	2						N
42	1	128170-66510	LEVER ASSY, STOP	1	1						
44	1	121575-66550	CAM	1	1						
45	1	128170-66580	SPRING, RETURN	1	1						
46	1	24311-000070	O-RING, 1AP7.0	1	1						
47	1	26116-050128	BOLT, M5X 12 PLATED	1	1						

Remarks
(1)CHANGING THE METHOD OF PACKING
SUBASSEMBLIES(FROM E/#00334)

Fig.2. GOVERNOR & CONTROLLER(1GMY)

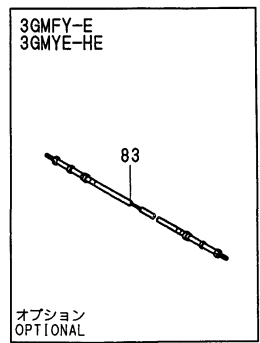
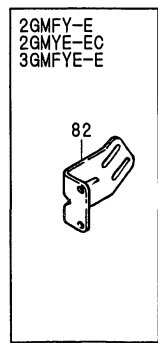
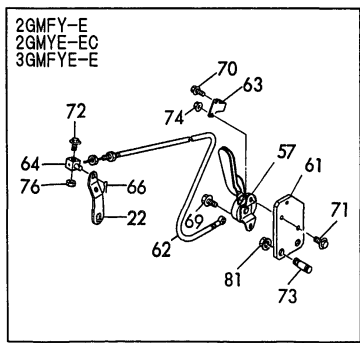
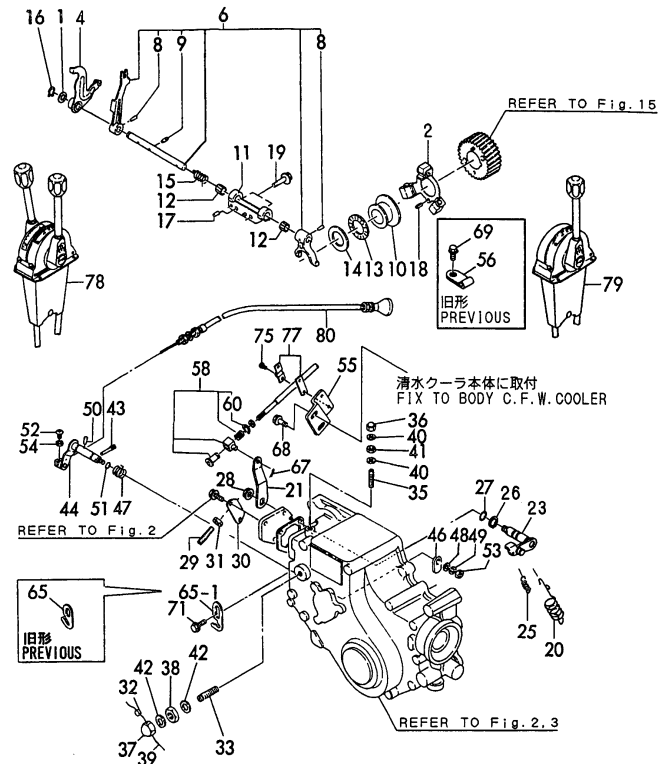
(A)=1GMY-C (D)=2GMYE-EC
 (B)=1GMY-EC (E)=3GMFY-E
 (C)=2GMFY(E)-E (F)=3GMFYE-E(HE)



No.	Lev.	Parts No.	Description	Q'ty						I	R
				(A)	(B)	(C)	(D)	(E)	(F)		
48	1	26366-060002	NUT, M6	1	1						
49	1	26756-050002	NUT, LOCK M5	1	1						
50	1	105582-67190	LEVER	1	1						1
51	1	128176-67200	BRACKET	1	1						
52	1	105583-67210	CABLE, L=528	1	1						
52-1	1	105582-67150	CABLE, L=1728	1	1						N 1
		(A=E/#00231)	(B=E/#00231)								
53	1	128272-67210	CLAMP	1	1						
54	1	129590-67310	RETAINER	1	1						
55	1	22360-060000	PIN, SNAP 6	1	1						
56	1	26106-060102	BOLT, M6X 10 PLATED	1	1						Z
		(A=E/#00334)	(B=E/#00334)								
57	1	26106-060102	BOLT, M6X 10 PLATED	1	1						
57-1	1	26106-060102	BOLT, M6X 10 PLATED	2	2						K
		(A=E/#00334)	(B=E/#00334)								
58	1	26106-060162	BOLT, M6X 16 PLATED	1	1						Z
		(A=E/#00334)	(B=E/#00334)								
59	1	26116-050142	BOLT, M5X 14 PLATED	1	1						
60	1	26216-100182	STUD, M10X 18	2	2						
61	1	26366-060002	NUT, M6	1	1						Z
		(A=E/#00334)	(B=E/#00334)								
62	1	26366-100002	NUT, M10	2	2						
63	1	26756-050002	NUT, LOCK M5	1	1						
64	1	104271-67550	CABLE, STOP L=3000	1	1						

Remarks
 (1)CHANGING THE METHOD OF PACKING
 SUBASSEMBLIES(FROM E/#00334)

Fig.3. GOVERNOR & CONTROLLER(2/3GM(F))



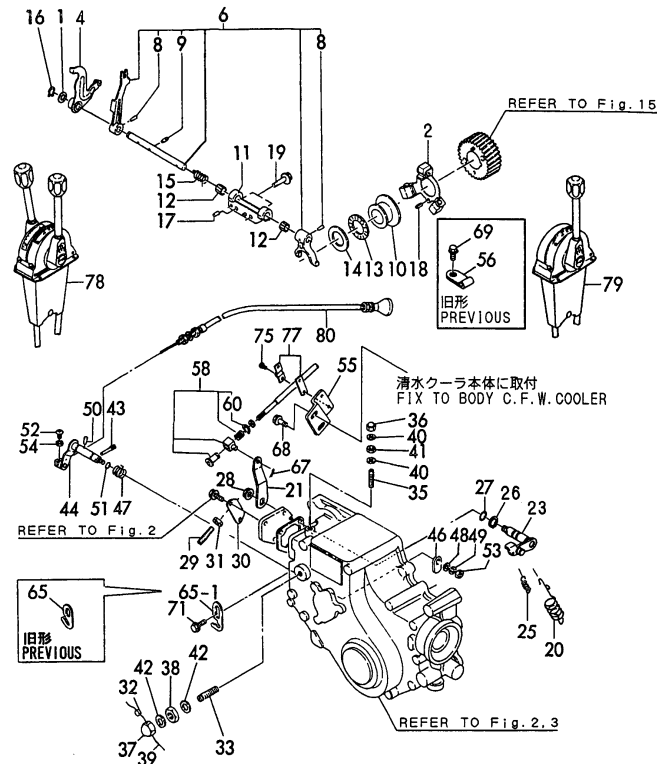
Remarks
 (1)A2 TROLLING TYPE. YX-6-1
 (2)CHANGING THE METHOD OF PACKING SUBASSEMBLIES(FROM E/#00261)
 (3)YX-6

(A)=1GMFY-C
 (B)=1GMFY-EC
 (C)=2GMFY(E)-E
 (D)=2GMFYE-EC
 (E)=3GMFYE-E
 (F)=3GMFYE-E(HE)

No.	Lev.	Parts No.	Description	Q'ty						I	R
				(A)	(B)	(C)	(D)	(E)	(F)		
1	1	104211-42130	PIECE, DISTANCE			1	1	1	1		
2	1	771016-61620	WEIGHT ASSY,GOVERNOR			1	1	1	1		
4	1	121575-61160	LEVER ASSY, CONTROL			1	1	1	1		
4-1	1	121575-61161	LEVER ASSY, CONTROL (C=E/#00508)			1	1	1	1		N
						(E=E/#00267)			(F=*1992.10)		
6	1	721500-61560	LEVER ASSY, GOVERNOR			1	1	1	1		
8	2	22322-030200	PIN, TAPER 3X20			2	2	2	2		
9	2	22351-030012	PIN, SPRING 3.0X12			1	1	1	1		
10	1	121000-61600	SLEEVE, GOVERNOR			1	1	1	1		
11	1	121575-61620	SUPPORT			1	1	1	1		
12	1	122410-61650	BEARING, FJ-1010W			2	2	2	2		
13	1	121575-61710	BEARING, FNTA-2542			1	1	1	1		
13-1	1	24166-254202	BEARING, 254202 (C=E/#00706)			1	1	1	1		R
						(D=E/#00136)			(E=E/#00341)		(F=E/#00124)
14	1	121575-61720	COLLAR			1	1	1	1		
15	1	121575-66310	SPRING, STARTING			1	1	1	1		
16	1	22242-000100	RING, 10			1	1	1	1		
17	1	22312-040080	PIN, PARALLEL M4X 8			2	2	2	2		
18	1	22351-040008	PIN, SPRING 4.0X 8			2	2	2	2		
19	1	26106-060282	BOLT, M6X 28 PLATED			2	2	2	2		
20	1	128270-66010	SPRING, REGULATOR			1	1	1	1		
21	1	121575-66051	HANDLE, REGULATOR						1	1	3
22	1	128272-66050	HANDLE, REGULATOR			1	1				
23	1	121000-66090	LEVER ASSY,REGULATOR			1	1	1	1		
25	1	121575-66200	SPRING, REGULATOR			1	1	1	1		
26	1	22242-000120	RING, 12			1	1	1	1		
27	1	24311-000090	O-RING, 1AP9.0			1	1	1	1		
28	1	26366-080002	NUT, M8			1	1	1	1		
29	1	121575-66800	SCREW			1	1	1	1		
30	1	121575-66850	RETAINER			1	1	1	1		
31	1	26756-060002	NUT, LOCK M6			1	1	1	1		
32	1	135210-61090	LEAD			1	1	1	1		
33	1	128270-66550	LIMITER ASSY, FUEL			1	1	1	1		
33-1	1	128396-66551	LIMITER ASSY, FUEL (C=E/#00220)			1	1	1	1		N
						(E=E/#00176)			(F=*1990.03)		
35	1	121575-66830	SCREW			1	1	1	1		
36	1	128170-66870	NUT, CAP M6			1	1	1	1		
37	1	128170-66880	NUT, CAP M12			1	1	1	1		
38	1	128170-66890	NUT, M12			1	1	1	1		
39	1	22451-100000	WIRE, 1.0			1	1	1	1		
40	1	23414-060000	GASKET, 6X1.0			2	2	2	2		
41	1	26756-060002	NUT, LOCK M6			1	1	1	1		
42	1	43400-500450	SEAL WASHER 12S			2	2	2	2		
42-1	1	22190-120002	WASHER, SEAL 12 (C=E/#00559)			2	2	2	2		N
						(E=E/#00283)			(F=*1993.08)		
43	1	124250-03640	SCREW			1	1	1	1		
44	1	121575-66510	LEVER ASSY, STOP			1	1	1	1		
46	1	121575-66550	CAM			1	1	1	1		
47	1	121575-66580	SPRING, RETURN			1	1	1	1		
48	1	22117-060000	WASHER, 6			1	1	1	1		
49	1	22217-060000	WASHER, SPRING 6			1	1	1	1		

Fig.3. GOVERNOR & CONTROLLER(2/3GM(F))

(A)=1GMY-C
(B)=1GMY-EC
(C)=2GMFY(E)-E
(D)=2GMYE-EC
(E)=3GMFY-E
(F)=3GMFYE-E(HE)



No.	Lev.	Parts No.	Description	Q'ty						I	R
				(A)	(B)	(C)	(D)	(E)	(F)		
50	1	22322-030160	PIN, TAPER 3X16			1	1	1	1		
51	1	24311-000070	O-RING, 1AP7.0			1	1	1	1		
52	1	26557-050122	SCREW, M5X12			1	1	1	1		
53	1	26716-060002	NUT, M6			1	1	1	1		
54	1	26756-050002	NUT, LOCK M5			1	1	1	1		
55	1	105311-67100	BRACKET, CABLE						1	1	3
56	1	125613-39950	RETAINER, 22X45.2 (C=E/#00261)			1			1		Z
57	1	105582-67190	LEVER				1	1	1		2
58	1	105311-67200	RETAINER ASSY						1	1	3
60	2	22242-000100	RING, 10						1	1	
61	1	128176-67200	BRACKET (C=E/#00261)			1			1		Z
62	1	105582-67150	CABLE, L=1728 (E=*1990.08)				1	1	1		2
63	1	128272-67210	CLAMP			1	1		1		
64	1	129590-67310	RETAINER			1	1		1		
65	1	121575-67580	BRACKET, CABLE			1			1	1	
65-1	1	121575-67581	BRACKET, CABLE (C=*1992.11)				1	1	1	1	N
66	1	22372-060000	PIN, SNAP 6 (E=E/#00265)			1	1				
67	1	22360-080000	SNAP PIN 8 (F=*1992.11)						1	1	3
68	1	26106-060102	BOLT, M6X 10 PLATED						2	2	3
69	1	26106-060102	BOLT, M6X 10 PLATED (C=E/#00261)				2		2		Z
70	1	26106-060102	BOLT, M6X 10 PLATED			1	1		1		
71	1	26106-060122	BOLT, M6X 12 PLATED			1	1	1	1		
72	1	26116-050142	BOLT, M5X 14 PLATED			1	1		1		
73	1	26216-100182	STUD, M10X 18 (C=E/#00261)				2		2		Z
74	1	26366-060002	NUT, M6 (E=*1990.08)			1	1		1		
75	1	26557-050122	SCREW, M5X12			2	2	2	2		
76	1	26756-050002	NUT, LOCK M5			1	1		1		
77	1	41710-000410	CLAMP						1	1	3
78	1	41730-501421	HEAD, REMOTE-CONT.						1	1	3
79	1	41730-501500	HEAD, CONTROL						1	1	1
80	1	104271-67550	CABLE, STOP L=3000			1	1	1	1		
81	1	26366-100002	NUT, M10 (C=E/#00261)				2		2		Z
82	1	128270-67100	BRACKET, CABLE (E=*1990.08)			1	1		1		
83	1	41710-000380	CABLE						2	2	

Remarks
 (1)A2 TROLLING TYPE. YX-6-1
 (2)CHANGING THE METHOD OF PACKING SUBASSEMBLIES(FROM E/#00261)
 (3)YX-6

Parts No. Index

Parts No.	Fig. No.	Ref. No.
103854-51251	1	15
103854-51660	1	36
103854-53180	1	66
104211-42130	2	1
	3	1
104211-53120	1	61
104264-59030	1	48
104271-51450	1	23
104271-51460	1	25
104271-67550	2	64
	3	80
105311-67100	3	55
105311-67200	3	58
105500-51300	1	17 -1
105582-52010	1	46
105582-59150	1	49
105582-67150	2	52 -1
	3	62
105582-67190	2	50
	3	57
105583-67210	2	52
110250-53150	1	63
113200-53110	1	60
113200-53120	1	62
121000-61600	2	10
	3	10
121000-66090	3	23
121150-51460	1	27
121450-51500	1	30
121520-01851	1	45 -1
121575-61160	3	4
121575-61161	3	4 -1
121575-61620	3	11
121575-61710	2	13
	3	13
121575-61720	2	14
	3	14
121575-66051	3	21
121575-66200	3	25
121575-66310	2	15
	3	15
121575-66510	3	44
121575-66550	2	44
	3	46
121575-66580	3	47
121575-66800	2	27
		34
	3	29
121575-66830	2	27 -1
		34 -1

Parts No.	Fig. No.	Ref. No.
121575-66830	3	35
121575-66850	3	30
121575-67580	3	65
121575-67581	3	65 -1
122410-61650	2	12
	3	12
124085-51500	1	29
124250-03640	3	43
124550-51320	1	19
124550-51341	1	20
124550-51350	1	21
124550-51370	1	22
124770-53000	1	56
124950-51190	1	9
124950-51270	1	16
124950-51450	1	24
124950-51510	1	33
124950-51640	1	34
125613-39950	3	56
128170-51101	1	5
128170-51300	1	17
128170-51500	1	28
128170-53080	1	58
128170-61100	2	2
128170-61160	2	8
128170-61161	2	8 -1
128170-61620	2	11
128170-66010	2	20
128170-66090	2	22
128170-66200	2	24
128170-66510	2	42
128170-66580	2	45
128170-66850	2	28
128170-66870	2	35
	3	36
128170-66880	2	36
	3	37
128170-66890	3	38
128171-66550	2	32
128171-66890	2	37
128176-66050	2	21
128176-67200	2	51
	3	61
128270-66010	3	20
128270-66550	3	33
128270-67100	3	82
128272-66050	3	22
128272-67210	2	53
	3	63
128396-66551	3	33 -1

Parts No.	Fig. No.	Ref. No.
129301-52020	1	47
129590-67310	2	54
	3	64
135210-61090	2	31
	3	32
172100-53200	1	67
174100-54120	1	14
174307-51170	1	7
174307-51181	1	8
174307-51460	1	26
174307-51700	1	37
22117-060000	3	48
22190-120002	2	41 -1
	3	42 -1
22217-060000	1	50
	3	49
22242-000100	2	16
	3	16
		60
22242-000120	3	26
22312-040080	2	17
	3	17
22322-030160	3	50
22322-030200	2	6
	3	8
22351-030012	2	7
	3	9
22351-040008	2	18
	3	18
22360-060000	2	55
22360-080000	3	67
22372-060000	3	66
22451-100000	2	38
	3	39
23414-060000	2	39
	3	40
23414-080000	1	51
23414-080012	1	51 -1
24166-254202	2	13 -1
	3	13 -1
24311-000070	2	46
	3	51
24311-000090	2	25
	3	27
26013-060162	1	52
26013-060302	2	19
26033-050102	1	43
		44 -1
26106-060102	2	56
		57

Parts No.	Fig. No.	Ref. No.
26106-060102	2	57 -1
	3	68
		69
		70
26106-060122	2	29
	3	71
26106-060162	2	58
26106-060282	3	19
26116-050128	2	47
26116-050142	2	59
	3	72
26216-060162	1	53
26216-100182	2	60
	3	73
26366-060002	2	48
		61
	3	74
26366-080002	2	26
	3	28
26366-100002	2	62
	3	81
26557-050122	3	52
		75
26587-050102	1	44
26716-060002	1	54
	3	53
26756-050002	2	49
		63
	3	54
		76
26756-060002	2	30
		40
	3	31
		41
41710-000380	3	83
41710-000410	3	77
41730-501421	3	78
41730-501500	3	79
43400-500450	2	41
	3	42
711100-51540	1	12
721500-61560	3	6
724550-51520	1	10
728170-53100	1	55
728170-61560	2	4
728176-51100	1	1
728270-51101	1	2
728370-51101	1	3
771016-61620	3	2